

MENDING IN THE MOUNTAINS BAG

(Please read all instructions before starting.)

Fabric:

Cut a total of 12 strips 2 ½" wide X WOF

(8 strips for body of bag "Strata")

(4 strips for handles)

½ yard of coordinating fabric for bag lining

Instructions:

A. Select 8 coordinating strips for **body of bag**.

- Select 4 coordinating strips for **handles of bag** and set these aside.
- Sew 8 strips together using a ¼" seam allowance to form **bag strata**. This should measure approximately 34" X 17".
- Press seams to one side.
- Trim body of bag (strata) to 34" in length by cutting selvages off each end.

B. Cut **lining fabric** to be equal to the outside bag strata. Set the lining piece aside and continue to next step to make the body.

C. Fold body of bag strata in half, RST, to measure approximately 17" square. (illustration 1)

- Sew side seams using a ¼" seam allowance.
- Press the sharp fold at bottom of bag. The bag is now "inside out".
- Keeping RST, form a triangle at the bottom corners of the bag, matching the pressed crease with each side seam.
- Measure 2" from the point, forming a triangle.
- Mark the stitching line with a pencil and stitch along the line. (illustration 2)

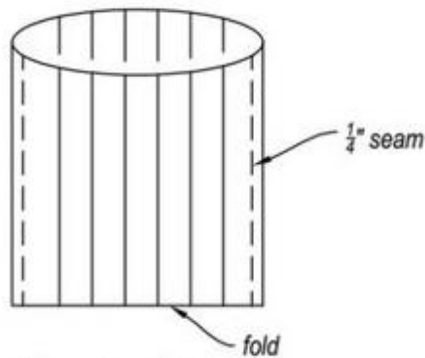


Illustration 1

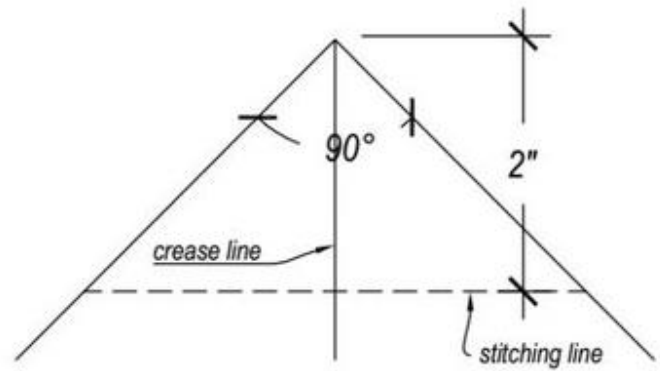


Illustration 2

- D. Place the lining piece RST and sew a $\frac{1}{4}$ " seam on each side. **HOWEVER**, for the second side, begin sewing 5", backstitch; then leave an opening the size of your hand before continuing to finish the same. Backstitch at stopping points.
- Form triangles on the bottom of the lining in the same manner as the bag body. (illustration 2)
- E. For the **handles**, take the remaining 4 strips and remove selvages. Cut strips to be about 32" long. Sew two handles, each with two strips RST. Sew both sides to form tubes.
- Turn tubes right sides out, using a safety pin. Press flat and topstitch sewn sides. Trim handles to 30" in length.
 - Pin the two sets of handle ends on the right side of the bag three inches from the side seams, keeping each handle on one side of bag.
- F. Insert the **lining** into the body of bag, RST to complete the bag. Stitch around top edge of bag including pinned handles, using a $\frac{1}{2}$ " seam allowance.
- Turn bag right side out pulling everything through the unsewn space in the lining.
 - Press the newly joined seams flat, checking handles for accuracy.
 - Topstitch around the top of bag at $\frac{1}{4}$ " and again at $\frac{1}{2}$ ".
 - Sew lining opening together using a $\frac{1}{8}$ " seam. FINISHED!